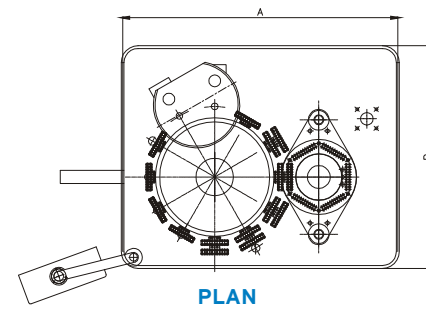
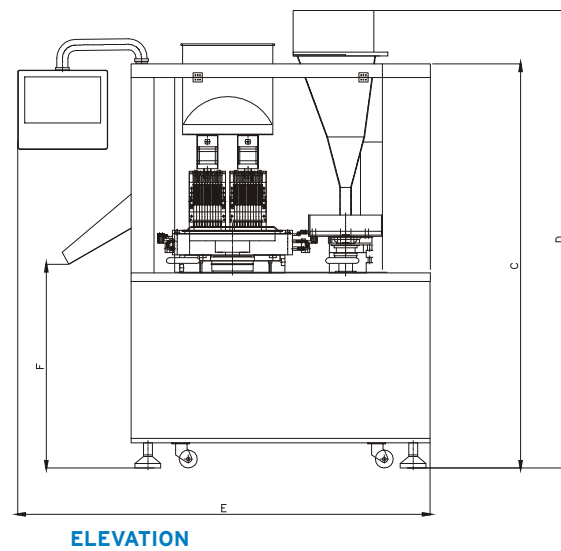


DIMENSIONAL DETAILS



	A-25	A-40	A-60	A-90	A-120	A-150
A	800	800	1200	1315	1315	1315
B	750	750	1020	1050	1050	1050
C	1725	1725	1900	1900	1900	1900
D	1900	1900	1950	1950	1950	1950
E	1285	1285	1740	1740	1740	1740
F	900	900	950	950	950	950

TECHNICAL SPECIFICATIONS

MODEL	CONNECTED LOAD	VACUUM REQUIREMENT	COMPRESSED AIR	WEIGHT
Pharmafill-A 25	7.5 HP / 440 V / 3 ph / 50 Hz	500 mm Hg at 1000 LPM	150 LPM at 100 PSI	850 kg
Pharmafill-A 40	7.5 HP / 440 V / 3 ph / 50 Hz	500 mm Hg at 1000 LPM	150 LPM at 100 PSI	1000 kg
Pharmafill-A 60	8.5 HP / 440 V / 3 ph / 50 Hz	500 mm Hg at 1000 LPM	150 LPM at 100 PSI	1600 kg
Pharmafill-A 90	13.5 HP / 440 V / 3 ph / 50 Hz	500 mm Hg at 1000 LPM (2 pumps)	200 LPM at 100 PSI	1800 kg
Pharmafill-A 120	13.5 HP / 440 V / 3 ph / 50 Hz	500 mm Hg at 1000 LPM (2 pumps)	200 LPM at 100 PSI	1800 kg
Pharmafill-A 150	14.5 HP / 440 V / 3 ph / 50 Hz	500 mm Hg at 1000 LPM (2 pumps)	200 LPM at 100 PSI	1900 kg

ENVIRONMENTAL CONDITIONS

Ambient parameters of filling room like humidity and temperature are very important to ensure proper flow of capsules. Failure to control the above parameters can result in the malfunctioning of the orientation system leading to jamming of capsules.

Filling Room Conditions: 20°C to 25°C

Relative Humidity: 40 to 50% RH

MACHINES CAN BE SUPPLIED FOR 380 VOLTS 3PHASE 50 Hz OR 220 VOLTS 3PHASE 60 Hz AS PER CLIENT'S REQUIREMENTS

Anchor Mark Private Limited offers comprehensive technical consultancy and advisory assistance if required. Necessary personnel training and assistance are provided as after-sales support.

As the design and manufacture of ANCHOR MARK PRIVATE LIMITED machines are subject to continual improvement, the product supplied may differ in some details from the specifications and illustrations given herein.



Pharmafill Fully Automatic Capsule Filling Machines

AUTOMATIC CAPSULE FILLING LINES

QUALITY THAT EXCELS IN GLOBAL MARKETS

Pharmafill-A150

Pharmafill High Speed Automatic Capsule Filling machines are the latest additions to our range of Capsule Filling machines incorporating advanced manufacturing technology suitable for filling powders, pellets and tablets. These are versatile machines with several outstanding features. The machines are designed to give an output of 25,000 capsules, 40,000 capsules, 60,000 capsules, 90,000 capsules, 1,20,000 capsules, and 1,50,000 capsules per hour respectively, with high filling accuracy and can accommodate capsule sizes from '00' to '5'. The actual rate of production however depends on the quality of capsules, characteristics of the filling material and ambient temperature condition. The machines are made to cGMP standards with various safety features for maximum protection for the operator.

Machines are supplied with Stainless Steel 316 contact parts. The machines can also be supplied with S.S. 316 L contact parts.



SALIENT FEATURES

- ⇒ Simple to operate and easy to maintain.
- ⇒ Fill weight adjustment within seconds.
- ⇒ Tamping Mechanism for powder filling enables capsules to be filled with a weight variation within $\pm 2\%$.
- ⇒ Variable AC frequency drive for main motor ensures speed adjustment.
- ⇒ Faulty capsule and filled capsule ejection stations with individual air controls.
- ⇒ Special purpose gauges are provided for quick and easy change over.
- ⇒ Appropriate sensors ensure continuous flow of powder and empty capsules for uninterrupted operation of the machine.
- ⇒ Programmable Logic Control (PLC) system with HMI enabling visual display of the operating parameters besides ensuring accuracy, reliability and reduced operator fatigue.
- ⇒ Adjustable gap between Dosing Disk and Tamping Plate ensures minimum spillage of powder

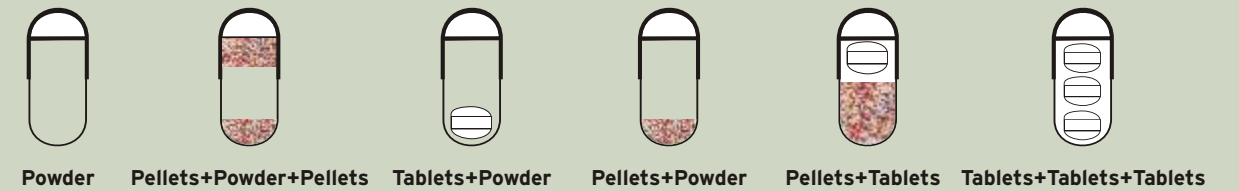
CAPSULE CHANGE PARTS



PELLET CHANGE PARTS



FILLING POSSIBILITIES AND COMBINATIONS



OPTIONAL ITEM

Filled Capsule Sampling & Weighing System

The Filled Capsule Sampling and Weighing System consist of a weighing balance, pneumatic cylinder and vibrator. The filled capsules are passed through the outlet sample chute, weighs the batch of 20 capsules and individual capsules separately. If the weight of the capsules are not in the acceptable range, the machine stops and the message is displayed on the Human Machine Interface (HMI).

Technical specifications:	
Vibrator:	80 Watts.
Dimensions:	500 x 900 x 735 mm (L x W x H)
Weight:	50 Kgs



ONLINE EQUIPMENTS (ACCESSORIES)



Empty Capsule Sorter Elevator



Capsule Polishing Unit with Filled Capsule Sorter and Unfilled Capsule Separator



Dedusting Blower with Trolley

EMPTY CAPSULE SORTER ELEVATOR

The Empty Capsule Sorter Elevator sorts out the diametrically defective capsules through a sorting plate and ensures that correct size of capsules are conveyed to the Capsule Filling Machine Hopper. This ensures feeding of empty capsules to the Capsule Filling Machine Hopper and uninterrupted running of the machine.

Technical specifications:	
Blower Motor:	0.5 HP / 415 V / 3 Ph / 50 Hz
Vibrator:	100 Watts
Dimensions:	1640x615x2060mm(LxWxH)
Weight:	200 Kgs

CAPSULE POLISHING UNIT

The Capsule Polishing Unit consists of a spiral brush with teflon net, deduster with suction blower and powder collection chamber. The filled capsules are passed through a spiral brush, which removes the powder from the capsule surface. The loose powder is sucked by the suction blower attached to the polishing brush and is collected in the powder collection chamber.

Technical specifications:	
Brush Drive Motor:	0.5 HP / 415 V / 3 Ph / 50 Hz. with Variable Frequency Drive
Blower Motor:	3 HP / 415 V / 3 Ph / 50 Hz.
Dimensions:	1200 x 600 x 1200 mm (L x W x H)

FILLED CAPSULE SORTER

The filled Capsule Sorter sorts out the telescopic, diametrically damaged capsules and ensures that good quality capsules are passed through the Unfilled Capsule Sorter.

Technical specifications:	
Motor:	0.25 HP / 415 V / 3 Ph / 50 Hz. With Variable Frequency Drive
Dimensions:	500 x 450 x 1300 mm (L x W x H)

UNFILLED CAPSULE SEPARATOR

The Unfilled Capsule Separator is supplied with the blower. The Unfilled Capsule Separator separates the empty capsules, loose caps and loose bodies and good quality capsules are collected in container.

Technical specifications:	
Motor:	0.35 HP / 220 V / 1 Ph / 50 Hz. With Variable Frequency Drive
Dimensions:	500 x 450 x 1300 mm (L x W x H)

DEDUSTING BLOWER WITH TROLLEY

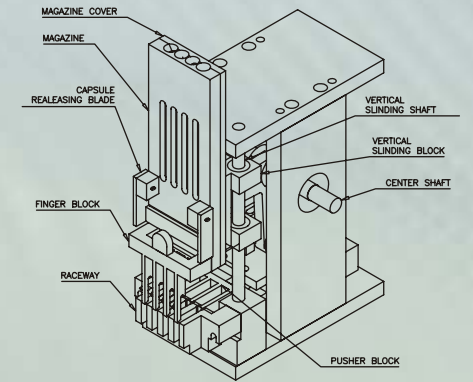
The Dedusting blower with trolley is provided with a filter bag for collection of dust

Technical specifications:	
Dimensions:	600 x 710 x 1370 mm (L x W x H)
Weight:	150 Kgs.



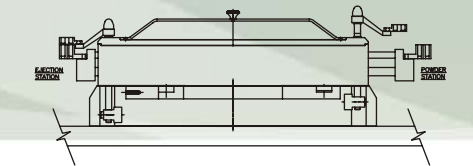
LOADER ASSEMBLY

The Loader Assembly mainly consists of Magazine, Magazine Cover, Raceway, Pusher Block and Finger Block. The drive to the Loader Assembly is from the main shaft through the Loader Cam and lever mechanism. The capsules from the hopper enter into the slots of the magazine and are placed on the raceway. The pusher block orients the capsule in the correct position, pushes the capsules in forward direction. The Finger Block releases the capsules from the raceway into the upper segment.



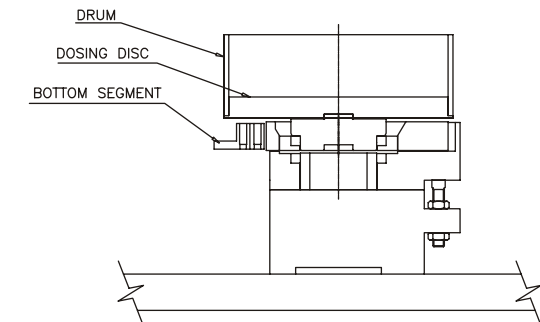
TURRET ASSEMBLY

Turret assembly mainly consists of top cam and 12 Stations. The drive to the turret assembly from the main shaft is through a geneva / indexing mechanism. The segment assembly mainly consists of the upper block, the lower block along with the respective horizontal shaft and springs.



POWDER ASSEMBLY

The powder assembly mainly consists of punches, punch plate, scrapper plate with scrapper, dosing disk, dosing drum and tamping ring. Scrapers are provided in the scrapper plate to avoid formation of powder lumps. The drive to the powder assembly from the main shaft is through the cam and lever mechanism. The powder is fed into the dosing chamber by the auger. Height of the powder bed is maintained by a powder sensor, which activates the auger inside the powder hopper when the level of the powder reaches lower than the desired level. The powder is tamped into the dosing disk to form slugs, which are transferred into the capsule bodies. The bodies are positioned under the dosing disk by bottom segment.

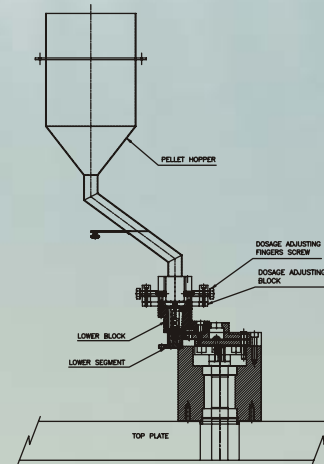


The hopper assembly consists of the Hopper for the storage of powder, Stirrer and Auger which ensures uniform loading of powder into the drum.



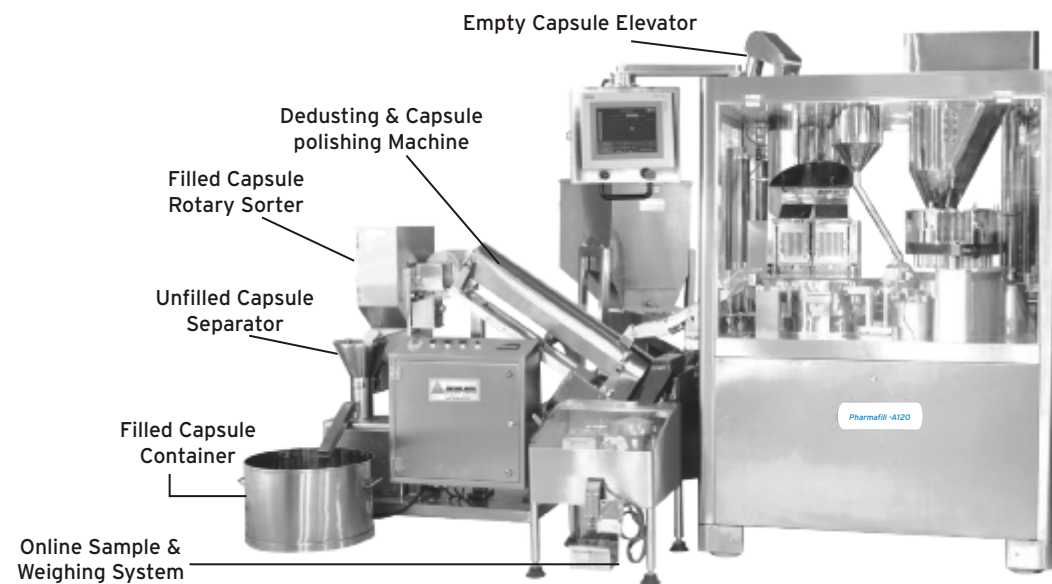
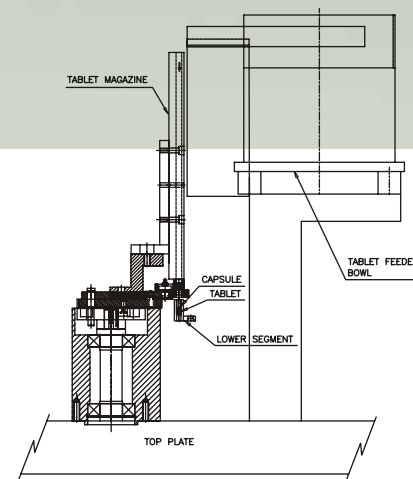
PELLET FILLING ASSEMBLY

The Pellet filling assembly works on the principle of volumetric filling. The assembly has a pair of fixed blocks and two sliding plates. The fixed block consists of the Dosage Adjusting Block and the Dosage Adjusting Finger. The volume of pellet to be filled is fixed by adjusting the position of Dosage Adjusting Finger with the aid of screw attached to it. The Pellets are first collected on the upper sliding plate through which it is collected in the volume cavity of the Dosage Adjusting Block and finally into the bottom segment through the lower sliding plate and lower block.



TABLET FILLING ASSEMBLY

The Tablet Filling Assembly works on gravitation principle. The Assembly consists of a vibratory bowl containing tablets, a magazine, a sliding plate, a fixed plate and a bell crank mechanism. The thickness of the plates vary as per the diameter of the tablets and the number of tablets that needs to be filled in one stroke. Through the magazine, the tablets enter the sliding plate. Due to the bell crank lever mechanism, the sliding plate slides and feeds the tablets in the capsule body (by gravity) through the fixed plate.



Automatic Capsule Filling Line

FULL RANGE OF PHARMAFILL MACHINES



PHARMAFILL A 25
25,000 capsules per hour



PHARMAFILL A 40
40,000 capsules per hour



PHARMAFILL A 60
60,000 capsules per hour



PHARMAFILL A 90
90,000 capsules per hour



PHARMAFILL A 120
120,000 capsules per hour



PHARMAFILL A 150
150,000 capsules per hour